



PORTABLE POWER STATION

For series IBO-55, IBO-510, IBW-1010, IBW-1220,
IBW-2020, IBW-2520

山东金宝来新能源股份有限公司
KING POLARIS NEW ENERGY STOCK CO., LTD., SHANDONG



KING POLARIS NEW ENERGY STOCK CO., LTD.

Official website: www.concenpower.com

Address: A2-A, Electronic Information Industrial Park, High-Tech 7th Rd.,
Donggang district, Rizhao, Shandong, CHina (Mainland)

Contact:



WhatsApp



WeChat

Hello!

Thank you for purchasing and using CONCENPOWER portable power station.

If you have any questions during use, please go to our official website (www.concenpower.com) and we will provide you with corresponding technical support.

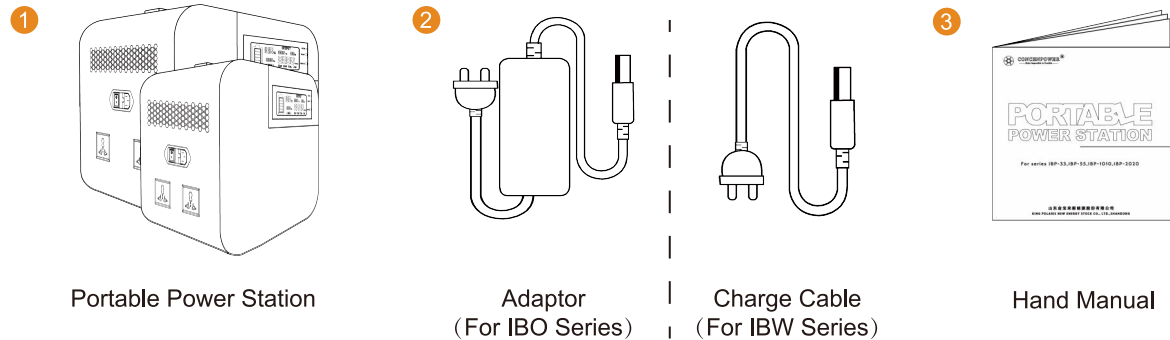
For more new products information, please check on the official website.



Concentrate Power



Packing List

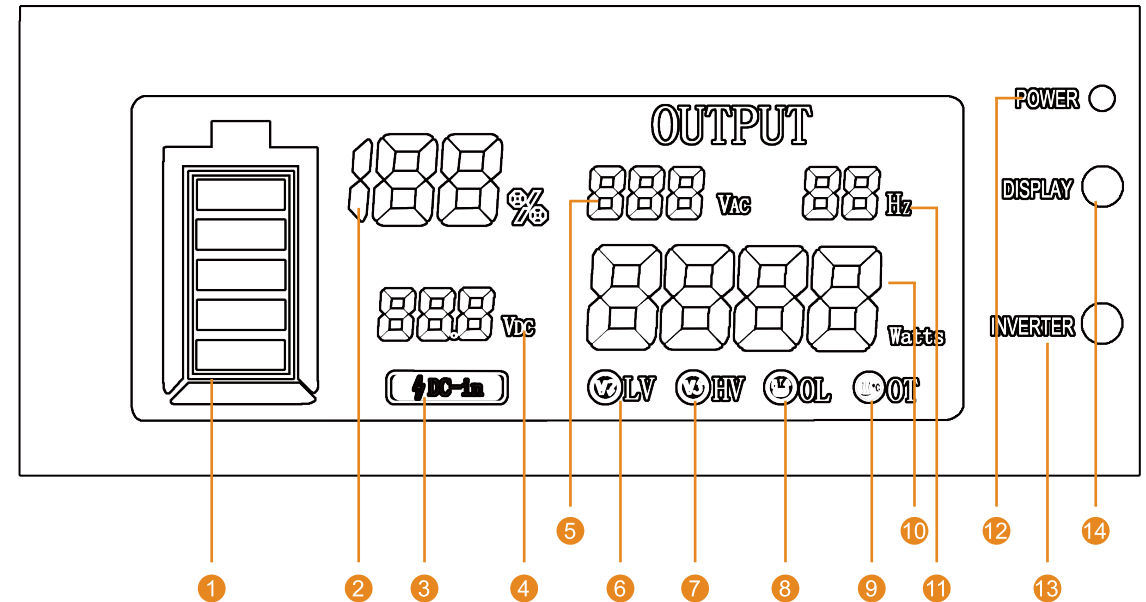


Cautions for Use

1. Low temperature may affect the battery capacity of the product. The product can be charged in the temperature range of 0-40°C, and can operate in the temperature range of -10°-40°C.
2. Tips: The first charge is crucial to battery life and the performance! Before you read and operating manual, please charge your product to 100% firstly.
3. Maintenance: If the product is not used for a long time, please charge the battery once a month to prevent the battery from being under-voltage and losing power, which may cause the product failing to start normally.
4. Note: When the battery voltage is below 10V or the product can't be turned on due to under-voltage, please use the solar panel to charge. It will take about 2 hours for the voltage to reconery to 10V start-up voltage. During this stage (small current charging), the screen will display unstable voltage status, which is a normal phenomenon and is the protection system's working for the low voltage battery. When the battery voltage is below 10V, do not use the adaptor to charge the product (because it is below the operating voltage of the adaptor); when the battery voltage is above 10V, the adaptor can be used for charging.
5. Before using or storing the product, please charge it with the charger. When charging, the indicator light (Grid-in) is blue, and the LCD screen will display the current charging ratio and power. When the LCD screen shows that the power is 100%, it means the product is fully charged. The charging process is about 4 hours, and the current power can be checked through the LCD display. (Tips: ONLY IBW Series has 'grid-in' indicator light and charge dynamic effects)
 - Standard adaptor: standard adaptor charge the product from 0-100% need about 4 hours
 - Solar charger: 240/360W solar charger, for IBO series is about 2-3 hours at the fastest, for IBW series is about 3-7.5 hours at the fastest(charging time is related to the intensity of sunlight), supports MPPT function of solar panels

* The above data comes from the CONCENPOWER laboratory, and the test data may vary due to factors such as the use environment and method of use, and the charging time will vary. This test data is for reference only.

Display Information



- | | | |
|----------------------|-------------------------------|--------------------------|
| 1 Battery Capacity | 2 Battery Capacity Percentage | 3 DC-in Input Indicator |
| 4 Battery Voltage | 5 AC Output Voltage | 6 Low Voltage Alarm |
| 7 High Voltage Alarm | 8 Over-load Alarm | 9 Over Temperature Alarm |
| 10 AC Output Power | 11 AC Output Frequency | 12 Power Indicator |
| 13 Inverter Button | 14 Display Button | |

**Tips: ONLY IBW series products have ' 3 DC-in' indicator and charge dynamic effects

DREAMS DON'T WORK UNLESS YOU DO!

*The world is
worth to explore...*



(IBO-55, IBO-510) ▶

Product Parameter IBO-55, IBO-510

Product NO.	IBO-55	IBO-510
Product Size	31*30*20 cm	
Product Weight	11.3Kg	12.1Kg
Battery Type	LiFePO4	
Battery Capacity	614Wh	
AC Output Rate Power	500W	1000W
AC Output Peak Power	1000W	2000W
AC Output Voltage	80-130V/160-240V	
DC Output (12V)	2	
LED Light	1	
USB	2	
Type-C	2	
Charge Mode	AC adaptor + solar input	
Using Temperature	-10~40°C	
Charging Temperature	0~40°C	
Protection System	Overcharge/discharge protection Overload protection, Short circuit protection Over temperature protection	

FEELING

Enjoy Your Life

Traveling is not just about going places.
It's about discovering yourself in new ways.



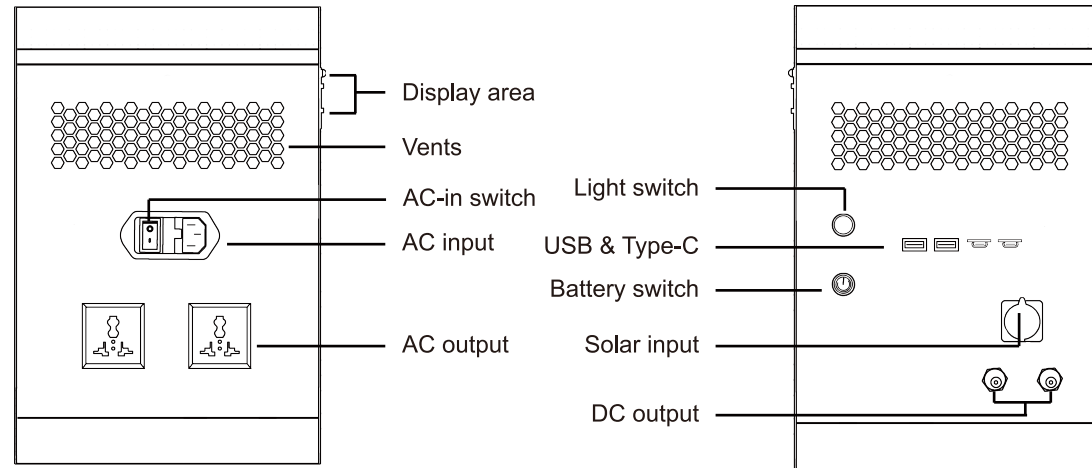
(IBW-1010, IBW-1220,IBW-2020,IBW-2520) ▶

Product Parameter IBW-1010,IBW-1220,IBW-2020,IBW-2520

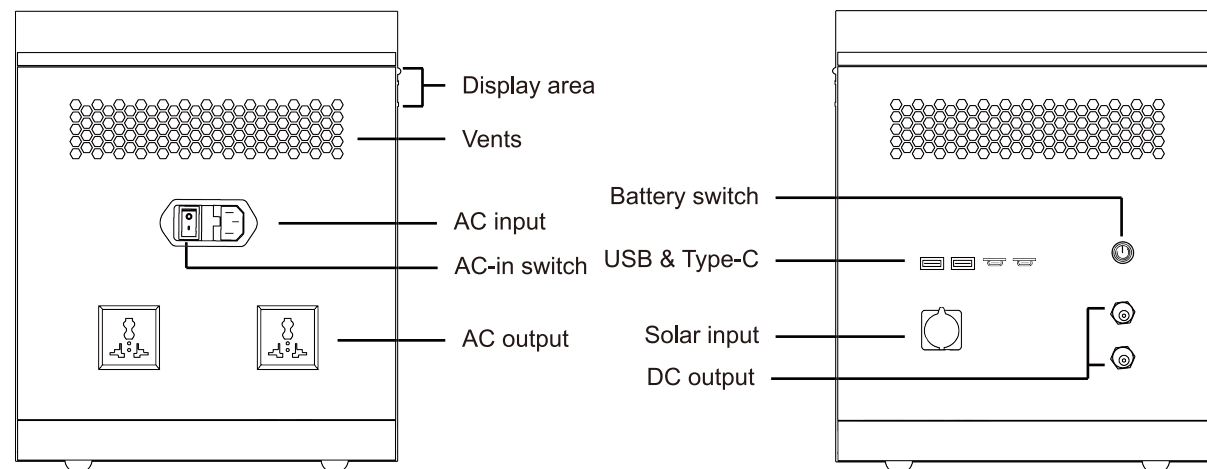
Product NO.	IBW-1010	IBW-1220	IBW-2020	IBW-2520
Product Size	42*34*28 cm			
Product Weight	20Kg	20.7Kg	26.8Kg	29.9Kg
Battery Type	LiFePO4			
Battery Capacity	1024Wh	1280Wh	2048Wh	2560Wh
AC Output Rate Power	1000W	2000W	2000W	2000W
AC Output Peak Power	2000W	4000W	4000W	4000W
AC Output Voltage	80-130V/160-240V			
DC Output (24V)	2			
LED Light	/			
USB	2			
Type-C	2			
Charge Mode	AC adaptor + solar input			
Using Temperature	-10~40°C			
Charging Temperature	0~40°C			
Protection System	Overcharge/discharge protection Overload protection, Short circuit protection Over temperature protection			

Functional Area Information

1 IBO-55, IBO-510

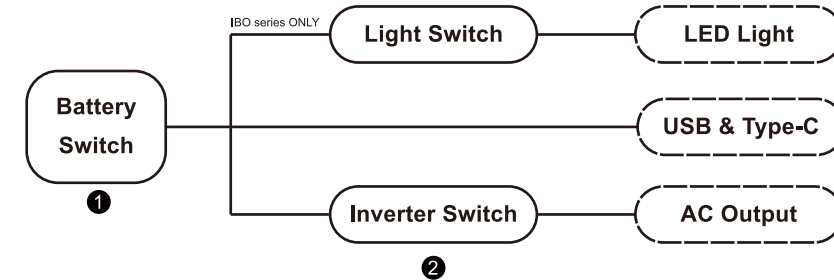


2 IBW-1010, IBW-1220, IBW-2020, IBW-2520



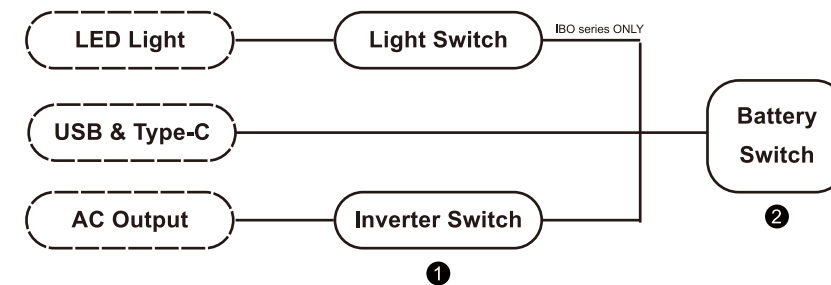
Start & Shut Down

How to START the product:



- 1 After pressing for 2 seconds, the switch indicator light turns on gradually and the screen turns on. After 10 seconds, the screen will automatically turn off, and DC and USB/Type-C can work normally. If the screen cannot be turned on or lit up, please charge the device in a timely manner.
- 2 After pressing for 2 seconds, after hearing the 'beep' sound, the screen displays 220V 50Hz, and the AC output works normally.

How to SHUT DOWN the product:



- 1 After pressing for 2 seconds, after hearing the 'beep' sound, and the AC output is turned off.
- 2 After pressing for 3 seconds, after hearing the 'beep' sound, release the switch, the switch indicator light gradually turns off, and the system turns off.

Charge & Discharge

1 IBO-55, IBO-510

● About charging

1. When charging, please pay attention to the "battery voltage" on the display. When the voltage reaches above 14.4V, it means the product is fully charged.
2. Charging with AC, please use the dedicated charger provided with the product.
3. Charging with solar panels, please note that the voltage of the solar panels is controlled to 36V and the current is less than 10A for charging.

● About discharge

1. When discharging, please pay attention to the "battery voltage" on the display. When the voltage reaches below 20V, it means the product is exhausted.
2. When discharging, please pay attention to whether the power of the electrical appliance is less than the power of the product to avoid damage to the product due to excessive power of the electrical appliance.

2 IBW-1010, IBW-1220, IBW-2020, IBW-2520

● About charging

1. When charging, please pay attention to the "battery voltage" on the display. When the voltage reaches above 29V, it means the product is fully charged.
2. Charging with AC, please use the dedicated charger provided with the product.
3. Charging with solar panels, please note that the voltage of the solar panels is controlled to 36V and the current is less than 10A for charging.

● About discharge

1. When discharging, please pay attention to the "battery voltage" on the display. When the voltage reaches below 20V, it means the product is exhausted.
2. When discharging, please pay attention to whether the power of the electrical appliance is less than the power of the product to avoid damage to the product due to excessive power of the electrical appliance.

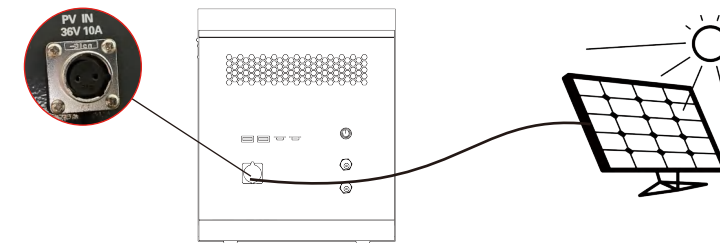
Note: When charging/discharging this product, the percentage only represents the approximate range of the battery capacity. If you want to get the precise capacity, please refer to the "battery voltage value" on the screen.

Solar Panel Input

When you want to use solar panel to charge the product, you need to:

- 1 Press 'Battery switch'
- 2 Connect the charging cable of the solar panel to the "PV input" terminal of the product

Please note that the parameters of solar panels used are consistent with the marked requirements



NOTICE:

You may encounter the following situations:

A. After pressing the battery switch, the indicator light on the battery switch does not light up

Connect the solar panel to the product, when the solar panel is charging, the indicator light will be on immediately; if the indicator light is not on, please check the solar panel and related cables used.

B. The indicator light on the battery switch lights up normally, but the inverter fails to start.

This phenomenon is because the product power is too low and the inverter cannot be started. After connecting the photovoltaic panel to the product and charging for a period of time, the indicator light on the screen will light up, indicating that the inverter can work. Considering the reasons for this phenomenon, it is recommended to charge for a period of time before using this product.

Frequent Questions & Answers

1. Can the product be brought on the plane?

No, because this product is a lithium battery product. According to the international air transport regulations, lithium battery products cannot exceed 100Wh.

2. The power of the equipment is within the rated output power range of the product but cannot be used?

- A. The power of the product is lower than 20%, and the power needs to be replenished.
- B. The starting power of some equipment is greater than the peak power of this products, or the actual power of the equipment is greater than the nominal power of this product. It is recommended to choose our company's higher power products.

3. Why is there a sound when using it?

The product adopts an air-cooling system, and the built-in fan can better help the product dissipate heat. It is normal to have a slight noise during use.

4. Is it normal for the charger to heat up during charging?

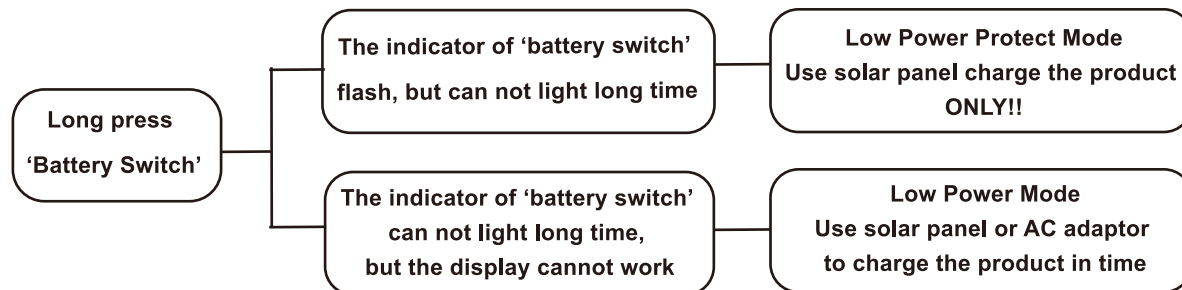
It is normal for the charger to heat up during charging. The standard charger complies with national safety standards, so you can use it with confidence.

5. Why does the low-power device turn off automatically after being connected to the output for a few hours?

When the port is connected to a small load device, the product will automatically turn off the output within the time set by the system to avoid the output being broken during use and causing the battery to run out.

6. When you finish using the product, you may meet the following problems:

The display shows 0% battery capacity and the display goes out. The product can not be started. Then please follow the diagram below:



Warnings & Precautions

When using this product, the follow basic precautions must be followed:

1. Before using this product, please read all instructions.
2. To reduce risk, close supervision is required when using this product near children.
3. Use of accessories not recommended or sold by professional product manufacturers may cause the risk of electric shock.
4. When the product is not in use, please pull the power plug out of the product socket.
5. It is forbidden to disassemble the product. Disassemble the product may cause unpredictable risks such as fire, explosion, or electric shock.
6. Do not use damaged plugs, or damaged output cables to use the product, as there is a risk of electric shock.
7. Please charge the product in a well-ventilated place, and do not restrict the ventilation of the product in any way.
8. Please put the product in a ventilated and dry place to avoid getting wet with water. If the product gets wet, there is a risk of electric shock.
9. It is forbidden to expose the product to fire or a temperature higher than 130°C, which may cause safety accidents such as fire and explosion of the product.
10. It is forbidden to use or place the product at high temperature (under direct sunlight or in a very hot car), otherwise it may cause risks such as internal battery overheating, fire or function failure, and shortened life.
11. Please charge the product once every three months to prevent power shortage during use.

Trouble Shooting

Product cannot be charged	1. The charger, product and AC mains must be in good connection. (The charging indicator light is off)	Check whether the connection between the charger, the product and the mains is good
	2. The connect is good, but the charging indicator light is not on	The adaptor is damaged, contact the after-sales service
	3. The charging indicator light is on, but it still cannot be charged	The product is broken, please contact the after-sales service
Product no output	1. The cable line between the device and the product is not plugged in properly	Connect the device the product well
	2. The output switch is not turned on	Turn on the output switch, then the indicator light will be on
	3. The battery is low	Charge the battery
	4. There is still no output after exclusion according to the above 1, 2, 3	The product is broken, please contact the after-sales service
With device output product interrupt	1. The rated power/working current of the equipment used or the instant start power is greater than the power of the product	Choose a higher power product
	2. The power of the equipment is too low, and the product will automatically turn off the output after a few hours	Non-product problem, press the button to start again
	3. After the above 1, 2 power is removed, the output will still be closed	The product is broken, please contact the after-sales service

Warranty & Contact Information

Guarantee to the user that under normal use of the product, there will be no defects that affect the use of the product due to craftsmanship and materials. This warranty statement states the full and exclusive warranty obligations of the product, and the CONENPOWER brand will not assign and authorize any third party to assume any responsibility for the products we sell.

Warranty

"Main Product " warranty for one year + extended warranty for one year. The warranty period is effective from the date of purchase by the user. In order to protect your warranty rights, when you need warranty please contact the online customer service to provide the consumer purchase certificate or other reasonable document proof.

The following conditions are not covered by the warranty:

- a) The appearance of the product is damaged after use.
- b) Self-disassembly or maintenance.
- c) Product performance failure caused by human factors.
- d) Damage caused by irresistible factors such as natural disasters, lightning, accidents, etc.

How to Get Warranty Service

After-sales mailbox: techsupport.yang@concenpower.com

We will reply you within 24hrs after receiving the email (Chinese legal holidays are not service hours, please understand)

Certification	
Inspector	
M.O.D	

CONCENPOWER

Make Impossible to Possible



The world is worth exploring....